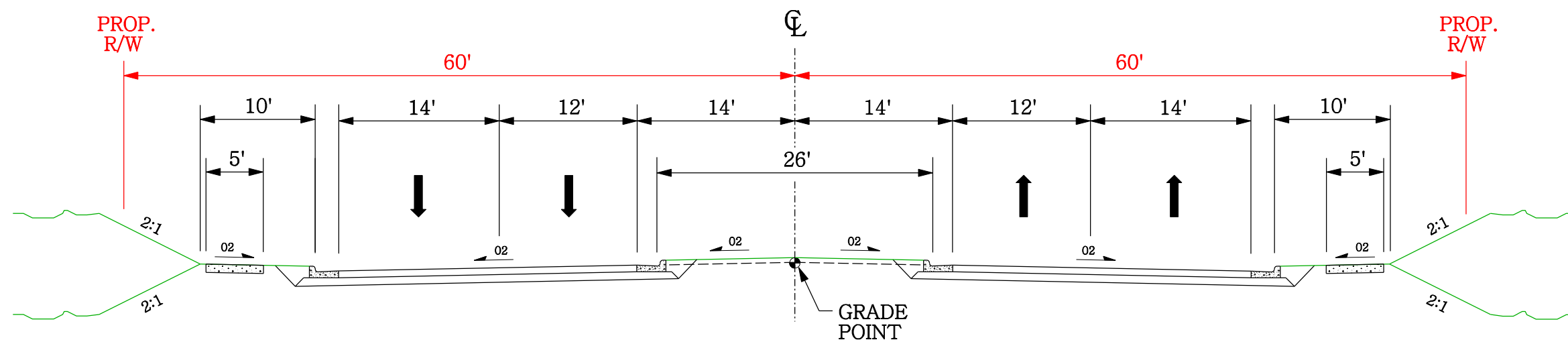


TYPICAL SECTION NO. 1
 -L- STA. 17+ 00.00 TO 116+ 00.00



TYPICAL SECTION NO. 2
 -L- STA. 116+ 00.00 TO 183+ 00.00

TYPICAL SECTIONS
 PRELIMINARY PLANS
 DO NOT USE FOR CONSTRUCTION

APRIL 2007

N.T.S.

FIGURE 8 - PROPOSED TYPICAL SECTIONS

