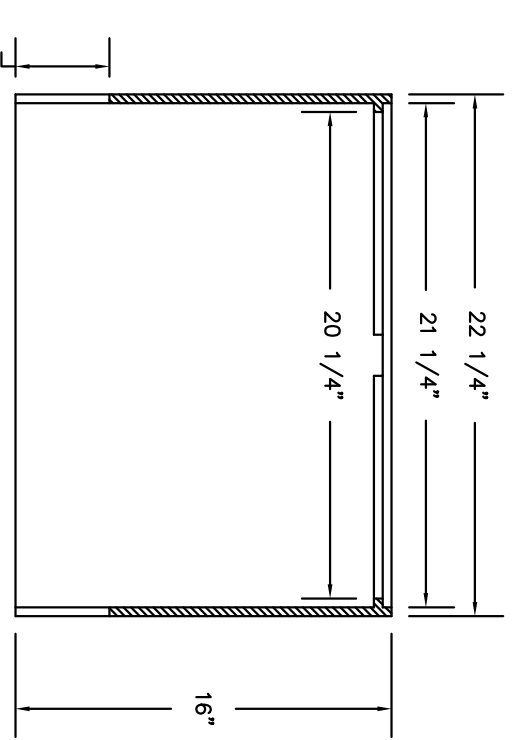
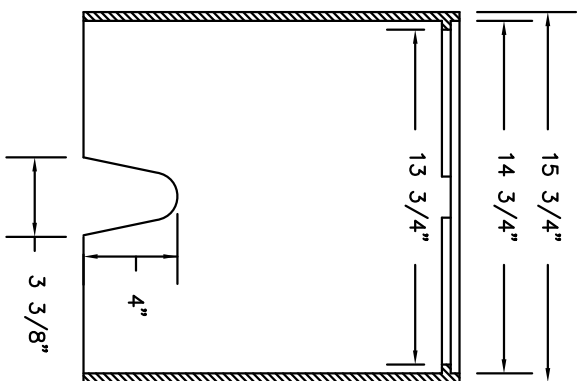


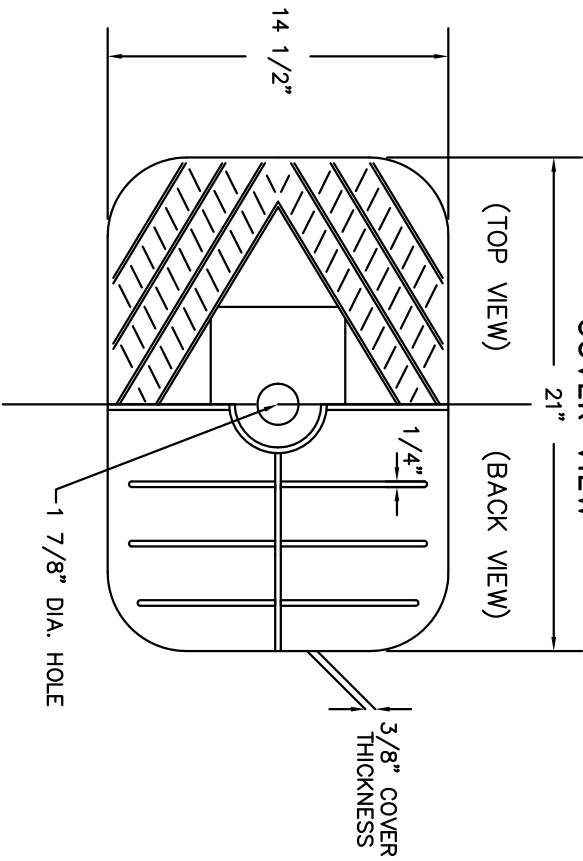
SIDE CROSS SECTION VIEW



END CROSS SECTION VIEW



COVER VIEW



NOTES:

- A. METER BOX BODY AND LID SHALL BE MADE OF CAST IRON, RATED ASTM A-48, CLASS - 30B.
- B. NON-TRAFFIC LOAD RATED APPROXIMATE METER BOX WEIGHT:
METER BOX BODY = 89 LBS.
COVER = 39 LBS.
TOTAL WEIGHT = 128 LBS.
- C. APPROXIMATE METER BOX WEIGHT:
- D. 7" MINIMUM OF CLEAN STONE TO BE PLACED UNDER BOX.
- E. WATER METER BOX SHALL BE SIGMA CORP. MB-381T OR APPROVED EQUAL.

CITY OF HIGH POINT
NORTH CAROLINA
ENGINEERING SERVICES DEPARTMENT

APPROVED... FEBRUARY 4, 2007
BPK
DIRECTOR

ISSUED 02-01-07
REVISIONS
9-14-10

STANDARD DRAWING FOR

1" WATER METER BOX

FOR USE WITH 1" WATER SERVICES

1WMBX.DWG

203.00

SHEET 1 OF 1