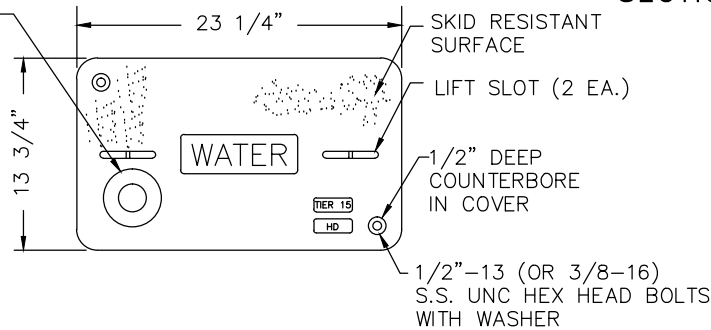
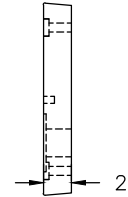


1 7/8" DIA. TOUCH READ HOLE WITH 4 1/8" DIA. X 3/16" COUNTERBORE (LOCATION BY MANUF.)

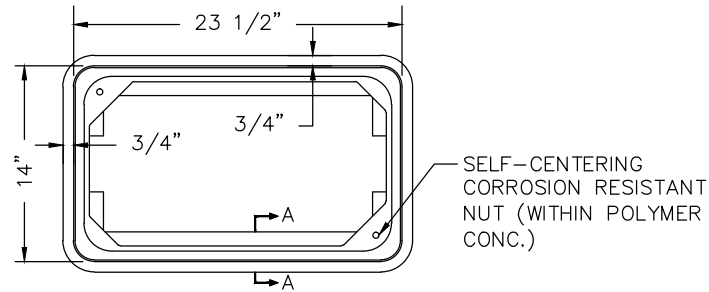
LID TOP VIEW



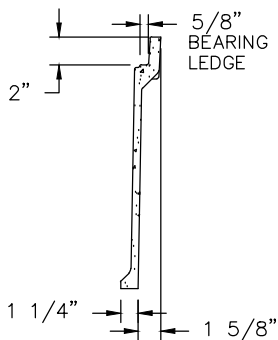
LID CROSS SECTION VIEW



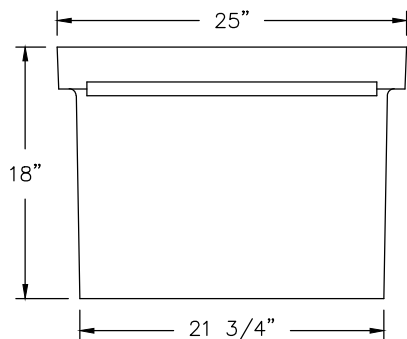
BOX TOP VIEW



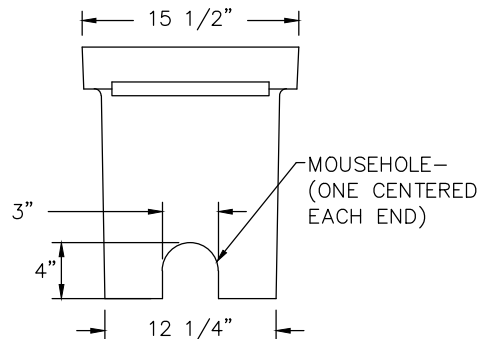
SECTION A-A



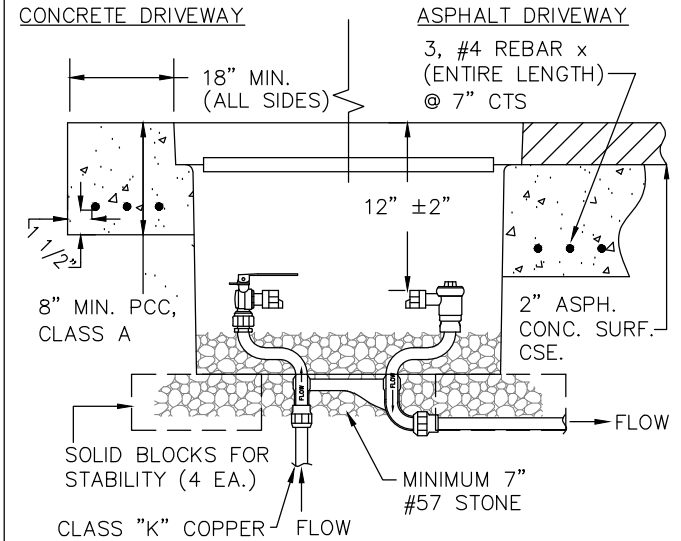
SIDE CROSS SECTION VIEW



END CROSS SECTION VIEW



CONC. COLLAR INSTALLATION



NOTES:

- A. MATERIAL: FIBERGLASS REINFORCED CONCRETE.
- B. COVER SHALL BE RATED FOR A STATIC DESIGN LOAD OF 15,000 LBS OVER A 10" X 10" AREA AND MUST PASS A MIN. STATIC TEST LOAD OF 22,500 LBS.
- C. ALL TRAFFIC BEARING METER BOXES SHALL HAVE CONCRETE COLLARS.
- D. APPROVED MANUF. INCLUDE:
  - QUAZITE: LID: PG1324H505  
BOX: PG1324BB18
  - CDR : LID: WC22-1324-02TR  
BOX: WB24-1324-18
  - HIGHLINE: LID: CHC132402HW501  
BOX: PHB132418X
  - GLASMASTERS: LID: S1324SB15-1-WA  
BOX: S132412S2B15-1
  - OR APPROVED EQUAL.
- E. APPROX. WEIGHTS:  
LID: 51 LBS.  
BOX: 72 LBS.
- F. ALL METER BOX DIMENSIONS ARE NOMINAL AND MAY VARY SLIGHTLY PER MANUFACTURER.
- G. USE IN CBD IF IN SIDEWALK OR DRIVEWAY.

CITY OF HIGH POINT  
NORTH CAROLINA  
ENGINEERING SERVICES DEPARTMENT

APPROVED: SEPTEMBER 15, 2010

DIRECTOR

ISSUED 9-15-10

REVISIONS

2-6-14

9-12-16

STANDARD DRAWING FOR

1" WATER METER BOX (POLYMER CONCRETE)  
FOR TRAFFIC BEARING SITES

1WMBOXPOLY.DWG

203.01

SHEET 1 OF 1