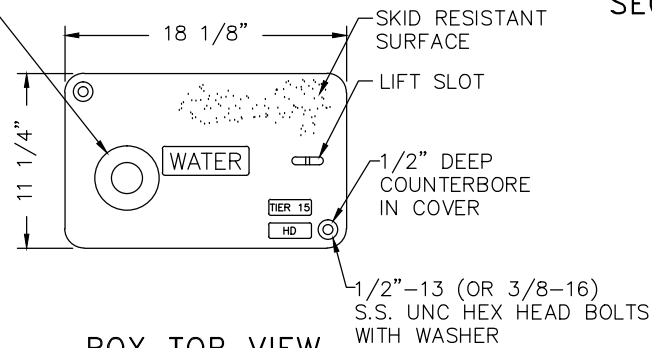
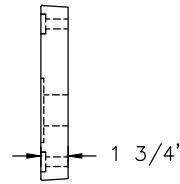


1 7/8" DIA. TOUCH READ HOLE WITH 4 1/8" DIA. X 3/16" COUNTERBORE (LOCATION BY MANUF.)

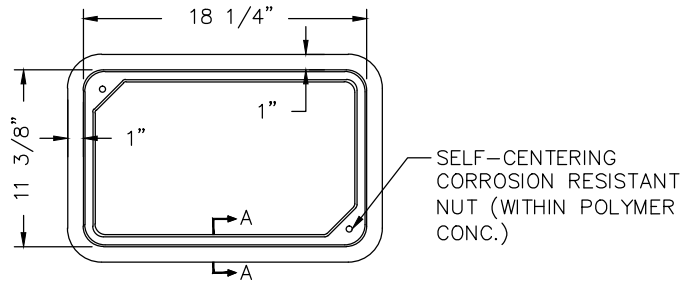
LID TOP VIEW



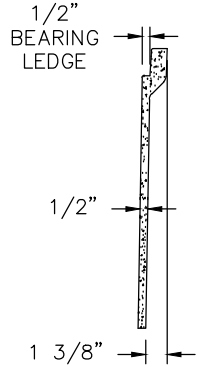
LID CROSS SECTION VIEW



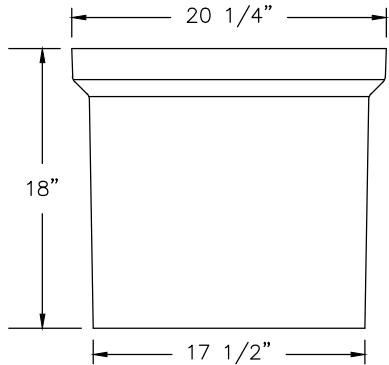
BOX TOP VIEW



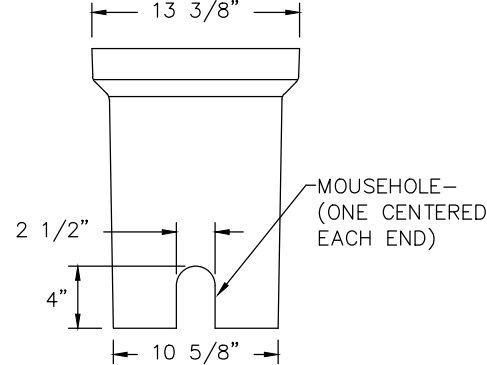
SECTION A-A



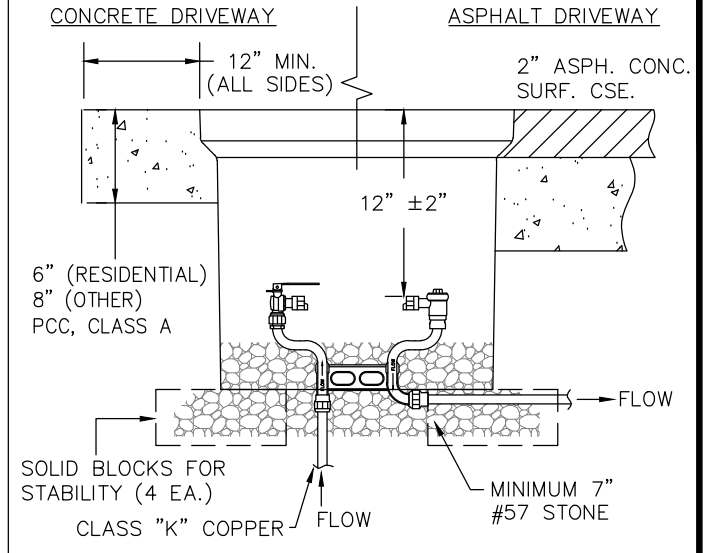
SIDE CROSS SECTION VIEW



END CROSS SECTION VIEW



CONC. COLLAR INSTALLATION



NOTES:

- A. MATERIAL: FIBERGLASS REINFORCED CONCRETE.
- B. COVER SHALL BE RATED FOR A STATIC DESIGN LOAD OF 15,000 LBS OVER A 10" X 10" AREA AND MUST PASS A MIN. STATIC TEST LOAD OF 22,500 LBS.
- C. ALL TRAFFIC BEARING METER BOXES SHALL HAVE CONCRETE COLLARS.
- D. APPROVED MANUF. INCLUDE:
 - QUAZITE: LID: PG1118H512
BOX: PG1118BB18
 - CDR: LID: WC22-1118-02TR
BOX: WB24-1118-18
 - HIGHLINE: LID: CHC111802HW500
BOX: PHB111818X
 - GLASMASTERS: LID: S1118SB15-1-WA
BOX: S111812S2B15-1
 - OR APPROVED EQUAL.
- E. APPROX. WEIGHTS:
LID: 26 LBS.
BOX: 50 LBS.
- F. ALL METER BOX DIMENSIONS ARE NOMINAL AND MAY VARY SLIGHTLY PER MANUFACTURER.
- G. USE IN CBD IF IN SIDEWALK OR DRIVEWAY.

CITY OF HIGH POINT
NORTH CAROLINA
ENGINEERING SERVICES DEPARTMENT

APPROVED, SEPTEMBER 15, 2010

DIRECTOR

ISSUED 9-15-10

REVISIONS

2-6-14

9-12-16

STANDARD DRAWING FOR

3/4" WATER METER BOX (POLYMER CONCRETE)
FOR TRAFFIC BEARING SITES

75WMBXPOLY.DWG

201.01

SHEET 1 OF 1