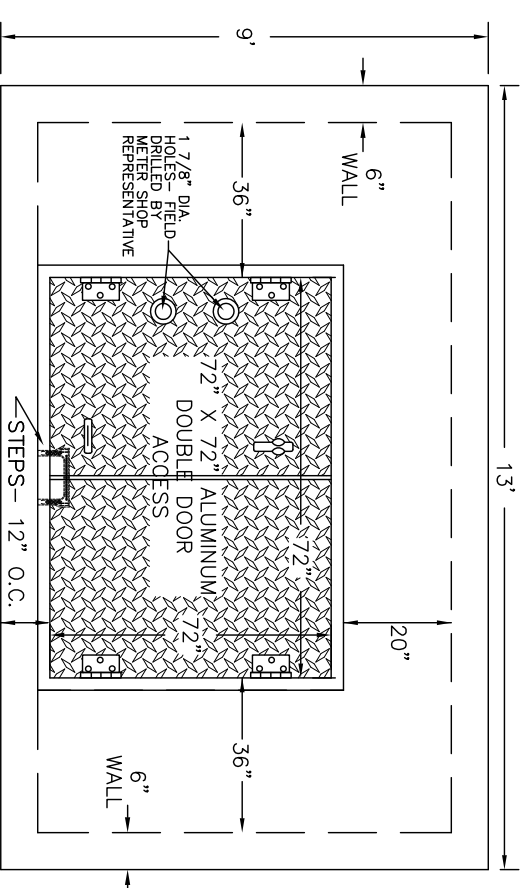
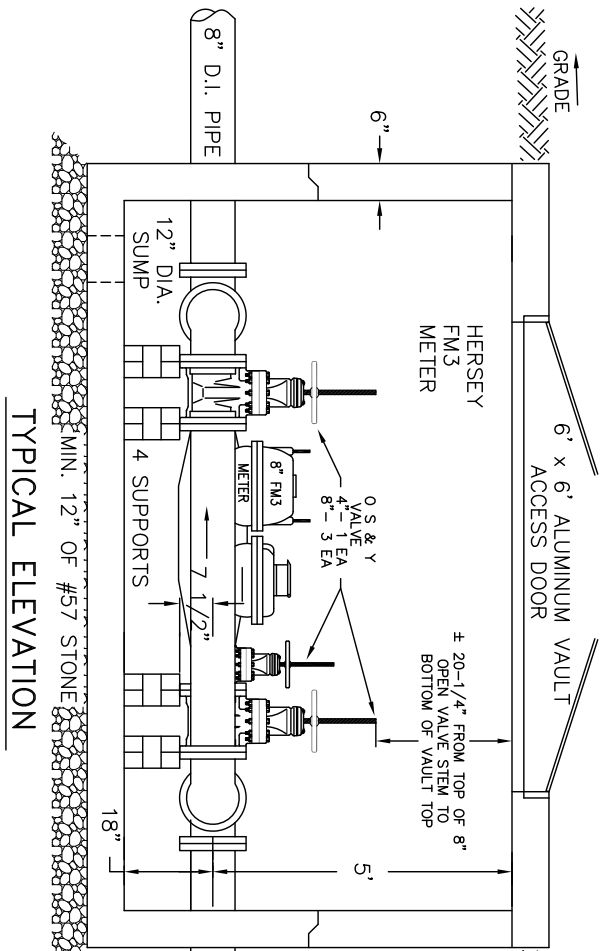


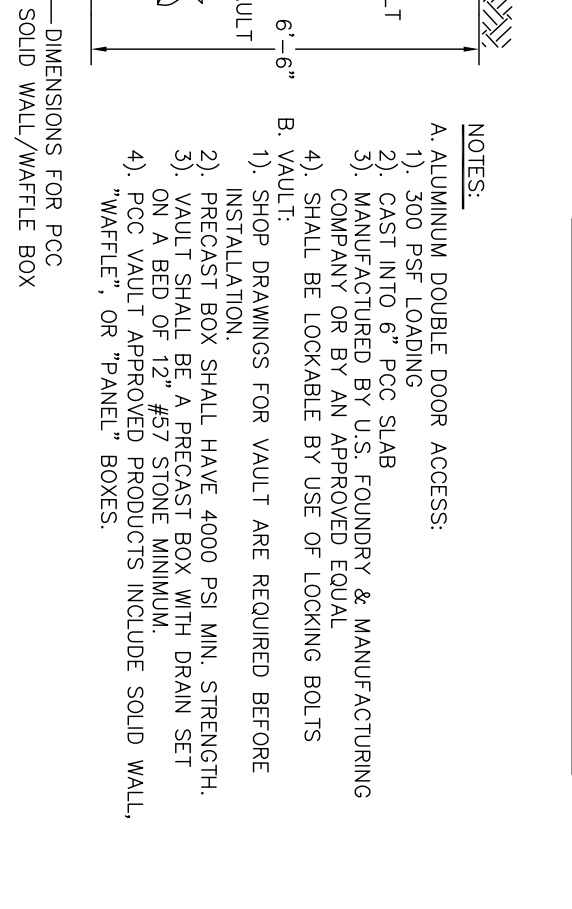
TYPICAL PLAN



TOP 6" REINFORCED PCC SLAB



TYPICAL ELEVATION



DIMENSIONS FOR PCC SOLID WALL/WAFFLE BOX

NOTES:

- A. ALUMINUM DOUBLE DOOR ACCESS:
  - 1). 300 PSF LOADING
  - 2). CAST INTO 6" PCC SLAB
  - 3). MANUFACTURED BY U.S. FOUNDRY & MANUFACTURING COMPANY OR BY AN APPROVED EQUAL
  - 4). SHALL BE LOCKABLE BY USE OF LOCKING BOLTS
- B. VAULT:
  - 1). SHOP DRAWINGS FOR VAULT ARE REQUIRED BEFORE INSTALLATION.
  - 2). PRECAST BOX SHALL HAVE 4000 PSI MIN. STRENGTH.
  - 3). VAULT SHALL BE A PRECAST BOX WITH DRAIN SET ON A BED OF 12" #57 STONE MINIMUM.
  - 4). PCC VAULT APPROVED PRODUCTS INCLUDE SOLID WALL, "WAFFLE", OR "PANEL" BOXES.

CITY OF HIGH POINT  
 NORTH CAROLINA  
 ENGINEERING SERVICES DEPARTMENT

ISSUED 02-01-07  
 REVISIONS  
 2-6-14

APPROVED FEBRUARY 14, 2007  
 BSK  
 DIRECTOR

STANDARD DRAWING FOR  
**8" WATER METER VAULT**  
 FOR UNDERGROUND INSTALLATION

8MMVAULT.DWG  
**223.00**  
 SHEET 1 OF 1