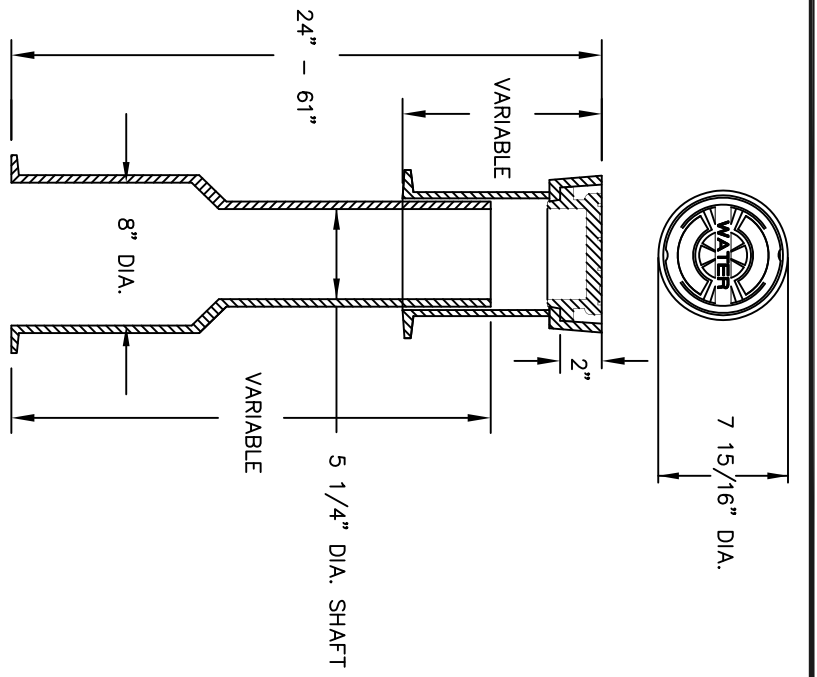


NOTES:

- A. THE BASE SHALL BE CENTERED OVER THE VALVE. TWO (2) BRICKS ARE TO BE PLACED AS SHOWN UNDER THE BASE AT 180°.
- B. VALVE BOX SHALL CONFORM TO ASTM A48, CLASS 30B.
- C. EXTENSIONS:
 - 1. VALVE BOX EXTENSIONS SHALL BE 5" DIAMETER SOIL PIPE.
 - 2. WHEN OPERATING NUT DEPTH EXCEEDS 5'-0" BELOW FINISHED GRADE, PROVIDE EXTENSION STEM WITH 2" SQUARE OPERATING NUT. THE EXTENSION STEM SHALL BE PART OF A MANUFACTURER APPROVED EXTENSION KIT.
- D. APPROVED MANUFACTURERS/MODELS INCLUDE:
 - 1. BINGHAM & TAYLOR - MODEL # 5562-S, 5662-S, 5664-S, AND 5668-S.
 - 2. CHARLOTTE - MODEL # 562-A.
 - 3. TYLER - SERIES 6855, MODEL # 562-A, 564-A, AND 664-A.
 - 4. EJIW - 8555 SERIES, MODEL # 562-A, 564-A, AND 664-A.
 - 5. OR APPROVED EQUAL.



CITY OF HIGH POINT
NORTH CAROLINA
ENGINEERING SERVICES DEPARTMENT

ISSUED 02-01-07

REVISIONS

STANDARD DRAWING FOR
WATER VALVE BOX

APPROVED: FEBRUARY 4, 2007
BK
DIRECTOR

FOR ROADWAY AND UNPAVED AREAS

VLVBOX.DWG
237.00
SHEET 1 OF 1