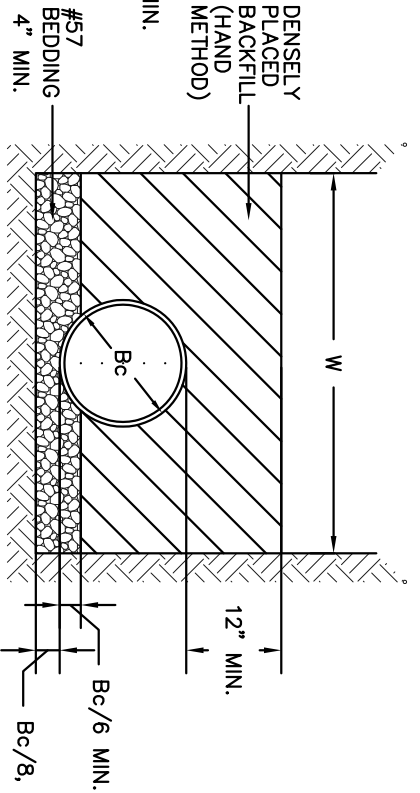
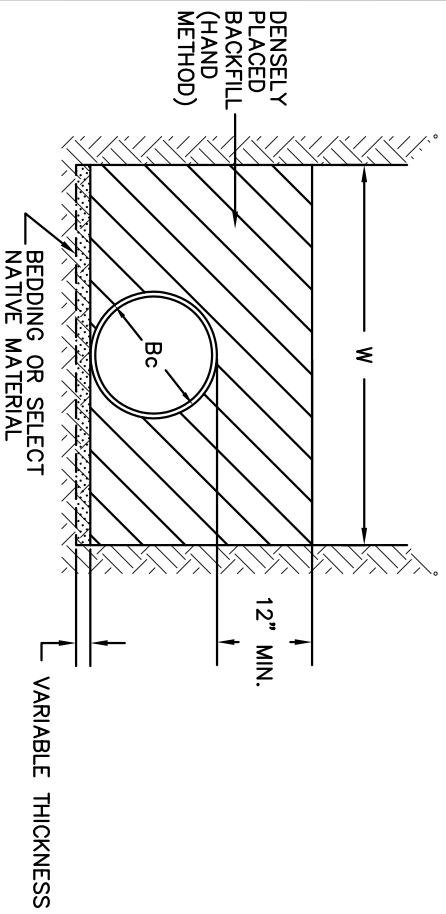


GRANULAR FOUNDATION
CLASS B



GRANULAR FOUNDATION
CLASS C



CONTINUOUS BEARING SUPPORT
MODIFIED CLASS D

TRENCH WIDTH
 MIN $W = Bc + 16"$
 MAX $W = Bc + 36"$
 IF CONTRACTOR CHOOSES TO EXCAVATE PAST THE MAX W, THE CONTRACTOR WILL BE RESPONSIBLE FOR ALL COSTS IN THE EXCAVATION BEYOND THE MAX W LIMITS.

BACKFILLING NOTES ACCORDING TO CURRENT EDITION OF NCDOT STANDARD SPECIFICATIONS FOR ROADS AND STRUCTURES:

- A. EXCAVATION, TRENCHING, AND BACKFILLING SHALL BE DONE ACCORDING TO SECTION 1505.
 - B. BACKFILLING SHALL ALSO BE IN ACCORDANCE WITH ARTICLE 300-7 AND COMPACTED TO 95% OF THE AASHTO T99 STANDARD PROCTOR, AS MODIFIED BY THE NCDOT.
 - C. THE LAST 12" OF BACKFILL BELOW THE FINISHED SURFACE OF THE SUBGRADE SHALL BE COMPACTED TO 100% OF THE AASHTO T99 STANDARD PROCTOR, AS MODIFIED BY THE NCDOT.
- BEDDING**
 A. FOR CLASS B & C BEDDINGS, SUBGRADES SHOULD BE EXCAVATED OR OVER EXCAVATED, IF NECESSARY, SO A UNIFORM FOUNDATION FREE OF PROTRUDING ROCKS MAY BE PROVIDED.

CITY OF HIGH POINT
 NORTH CAROLINA
 ENGINEERING SERVICES DEPARTMENT
 APPROVED: MAX 3, 2007
 DIRECTOR

ISSUED 5-3-07
 REVISIONS
 9-15-10

STANDARD DRAWING FOR
 V.C. PIPE BEDDING & MAXIMUM
 DEPTH OF COVER

BED_VCP1.DWG
 323.00
 SHEET 1 OF 2