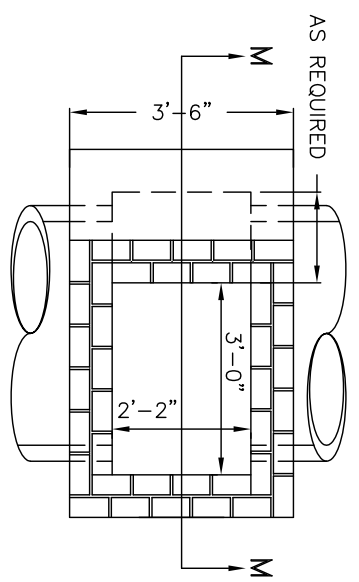
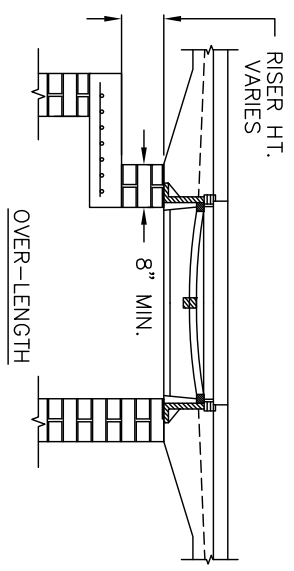
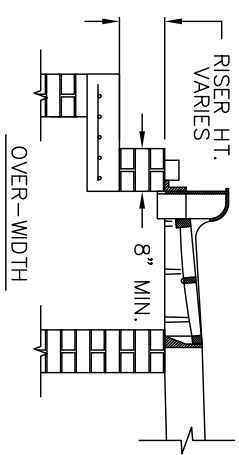


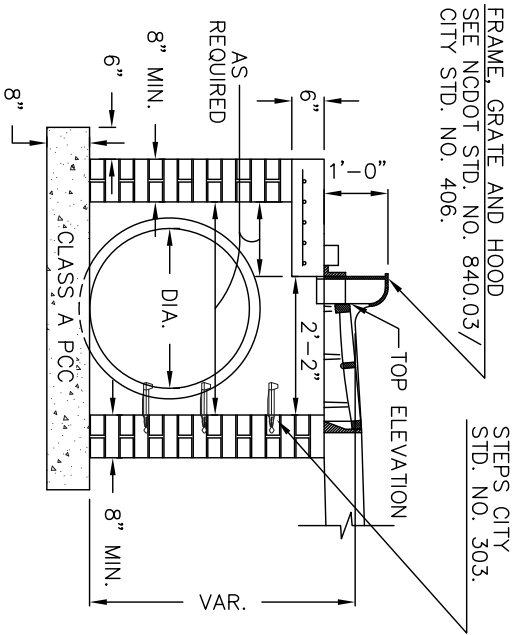
PLAN OVER-WIDTH



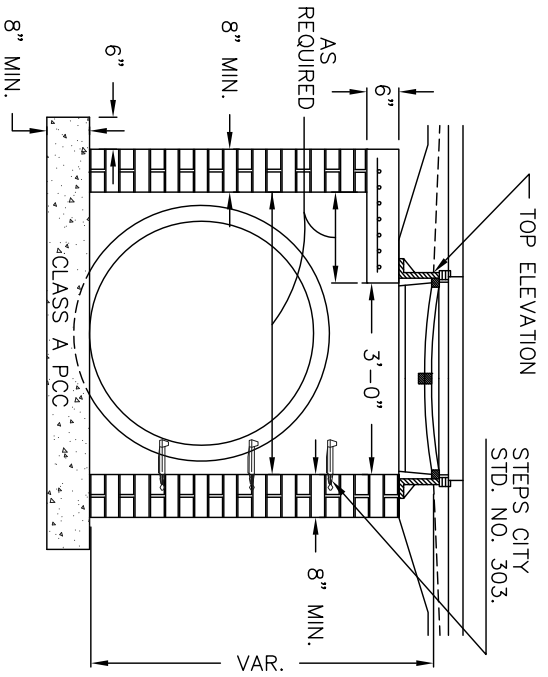
PLAN OVER-LENGTH



DETAIL SHOWING METHOD OF RISER CONSTRUCTION



SECTION J-J OVER-WIDTH



SECTION M-M OVER-LENGTH

- NOTES:**
- OVER-LENGTH, OVER-WIDTH, AND OVER-LENGTH/OVER-WIDTH CATCH BASINS, TYPE B, SHALL BE SPECIFIED IN THE PLANS.
 - THE EXTRA SLAB TO ACCOMMODATE OVER-LENGTH AND OVER-WIDTH PIPES, SHALL BE DESIGNED ACCORDING TO SHEET 2 OF 2 OF CURRENT NCDOT STD. NO. 840.01.
 - IT IS PREFERRED THAT THERE BE A MINIMUM OF 6" LENGTH BETWEEN THE OUTSIDE EDGE OF PIPE AND THE INSIDE EDGE OF THE INLET WALLS.

CITY OF HIGH POINT
 NORTH CAROLINA
 ENGINEERING SERVICES DEPARTMENT
 APPROVED: MARCH 1, 2007
 BSK
 DIRECTOR

ISSUED 03-01-07
 REVISIONS

STANDARD DRAWING FOR
 BRICK CATCH BASIN, TYPE B
 FOR 12" THRU 54" PIPE

CB_BR_2.DWG
 404.00
 SHEET 2 OF 2