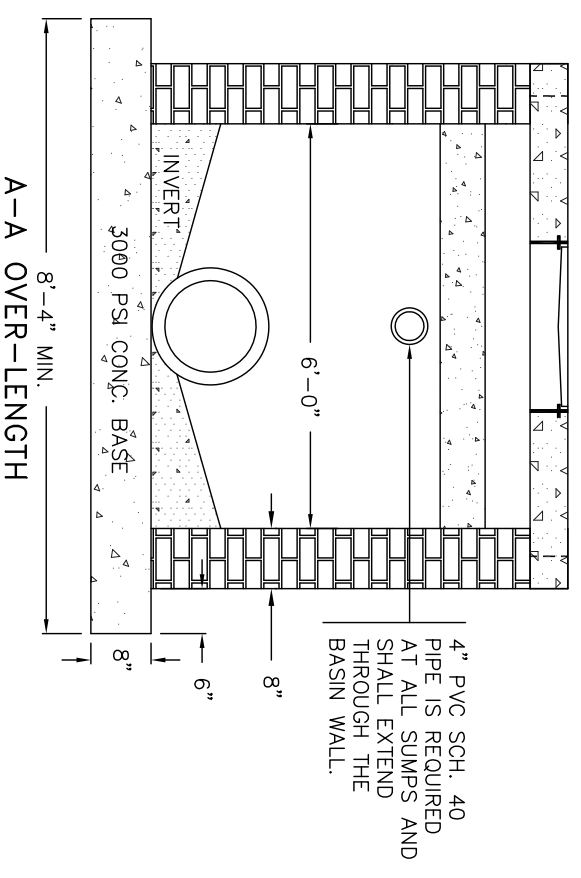
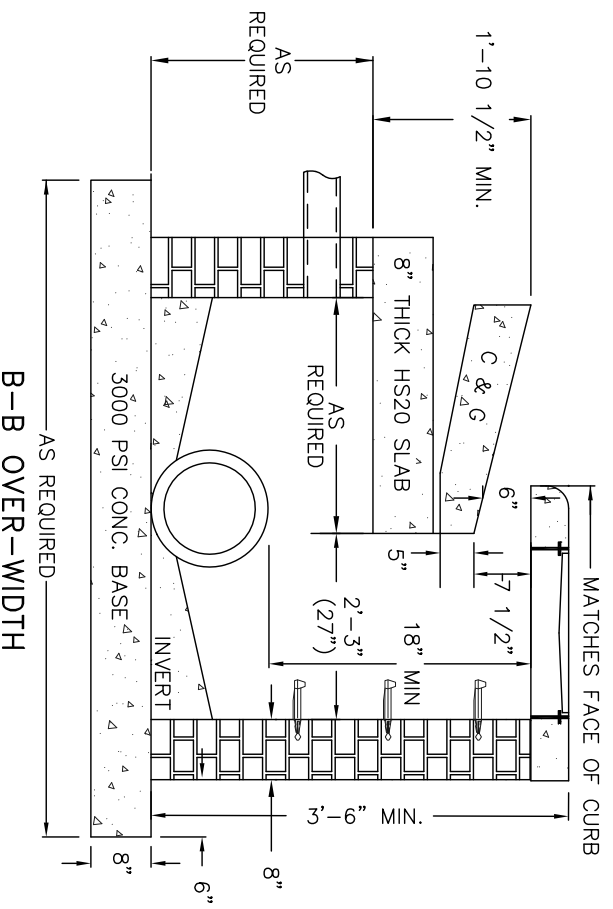


A-A OVER-LENGTH



A-A OVER-LENGTH

- NOTES:**
8. OVER-LENGTH, OVER-WIDTH, AND OVER-LENGTH/OVER-WIDTH CATCH BASINS, TYPE A SHALL BE SPECIFIED ON THE PLANS.
  9. THE PRECAST CONCRETE INLET LID FOR THE OVER-LENGTH INLET SHALL HAVE FOUR #5 BARS IN THE STREET FACE.
  10. IF POSSIBLE, THERE SHOULD BE A MINIMUM OF 6" LENGTH BETWEEN THE OUTSIDE EDGE OF A PIPE AND THE INSIDE EDGE OF THE INLET WALLS.
  11. DRAWINGS NOT TO SCALE.



B-B OVER-WIDTH

CITY OF HIGH POINT  
 NORTH CAROLINA  
 ENGINEERING SERVICES DEPARTMENT  
 APPROVED: MARCH 1, 2007  
 DIRECTOR

ISSUED	REVISIONS
03-01-07	

STANDARD DRAWING FOR  
 BRICK MASONRY CATCH  
 BASIN, TYPE A