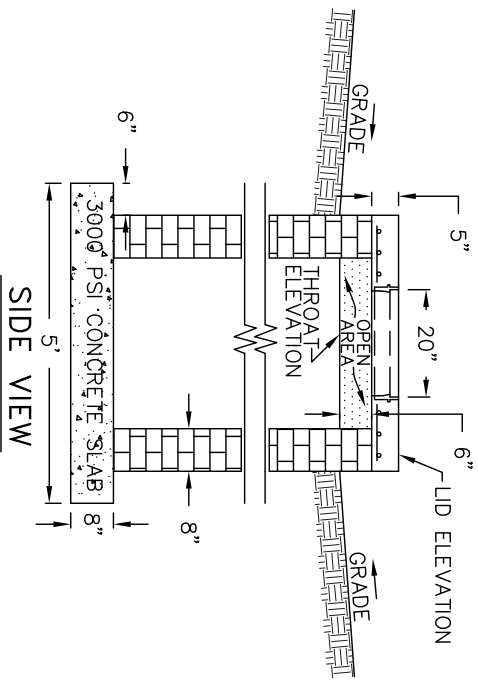
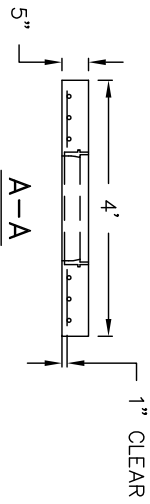
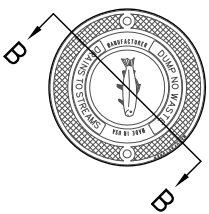


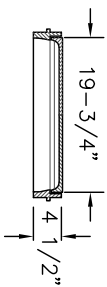
REINFORCED TOP SLAB



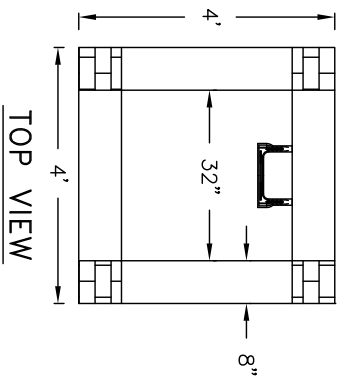
SIDE VIEW



TOP VIEW CASTING



B-B CASTING



TOP VIEW

NOTES:

1. BRICK MASONRY SHALL BE JUMBO BRICK, CONCRETE BRICK, OR SOLID CONCRETE BLOCKS WHICH MEETS THE SPECIFICATIONS OF SECTION 1040 OF THE LATEST EDITION OF THE NCDOT STANDARD SPECIFICATIONS FOR ROADS AND STRUCTURES.
2. FOR STRUCTURE HEIGHTS OVER 3'-6", INSTALL STEPS ON 12" CENTERS.
3. ALL STEPS SHALL CONFORM TO CITY STD. NO. 303 OR AN APPROVED EQUAL.
4. CLASS A, 3000 PSI, CONCRETE SHALL BE USED THROUGHOUT.
5. THE FRAME AND COVER SHALL BE CAST INTO THE PCC LID AND SHALL BE MANUFACTURED AS SPECIFIED IN COHP STD. NO. 402.
6. YARD INLET BRICK MINIMUM WALL THICKNESS:

HEIGHT OF STRUCTURE	WALL THICKNESS
0' TO 8'	8"
OVER 8' TO 16'	*
OVER 16'	SPECIAL DESIGN
- * OVER 8'-0" IN HEIGHT, USE 12" WALL FROM THE BOTTOM OF THE WALL TO 6'-0" FROM THE TOP OF THE WALL. USE 8" WALL FOR THE REMAINING 6'-0".
7. USE FORMS FOR CONSTRUCTION OF THE BOTTOM SLAB OR USE A PRECAST SLAB.

CITY OF HIGH POINT
NORTH CAROLINA
ENGINEERING SERVICES DEPARTMENT

ISSUED 03-01-07
REVISIONS

APPROVED: MARCH 1, 2007
DIRECTOR

STANDARD DRAWING FOR

BRICK YARD INLET

4' X 4', OUT - OUT

Y1_BRICK.DWG

407.00

SHEET 1 OF 1