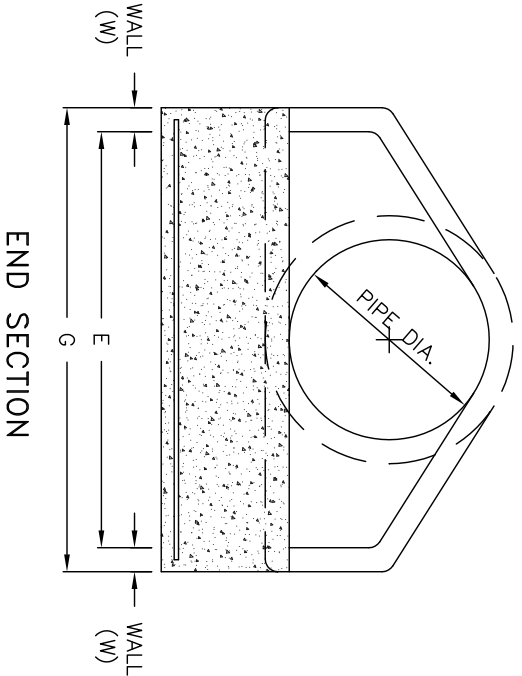


PIPE DIA.	W	E	G
12"	1-7/8"	2'-0"	2'-3 3/4"
15"	1-7/8"	2'-6"	2'-3 3/4"
18"	2"	3'-0"	3'-4"
24"	2-1/2"	4'-0"	4'-5"
30"	2-3/4"	5'-0"	5'-5 1/2"
36"	3"	6'-0"	6'-6"
42"	3-1/2"	6'-6"	7'-1"
48"	4"	7'-0"	7'-8"
54"	4-1/2"	7'-6"	8'-3"

LONGITUDINAL SECTION



END SECTION

- NOTES:
- A. END BLOCK SHALL BE PRECAST OR CAST-IN PLACE USING CLASS B CONCRETE, 2,500 PSI.
 - B. THE PRECAST END BLOCK SHALL BE INSTALLED, OR THE HOLE FOR THE POURED END BLOCK SHALL BE EXCAVATED, PRIOR TO THE INSTALLATION OF THE FLARED END SECTION.
 - C. THE END BLOCKS ARE MANDATORY FOR UPSTREAM F.E.S. AND REQUIRED, IF SPECIFIED IN THE PLANS, FOR DOWNSTREAM F.E.S. THE COST FOR THE END BLOCKS SHALL BE CONSIDERED INCIDENTAL TO THE COST OF THE F.E.S.

CITY OF HIGH POINT
 NORTH CAROLINA
 ENGINEERING SERVICES DEPARTMENT
 APPROVED: MARCH 1, 2007
 BSK
 DIRECTOR

ISSUED 03-01-07
 REVISIONS

STANDARD DRAWING FOR
F.E.S. END BLOCK
 FOR 12" TO 54" F.E.S.

FES_END_BLDWG

414.00

SHEET 1 OF 1