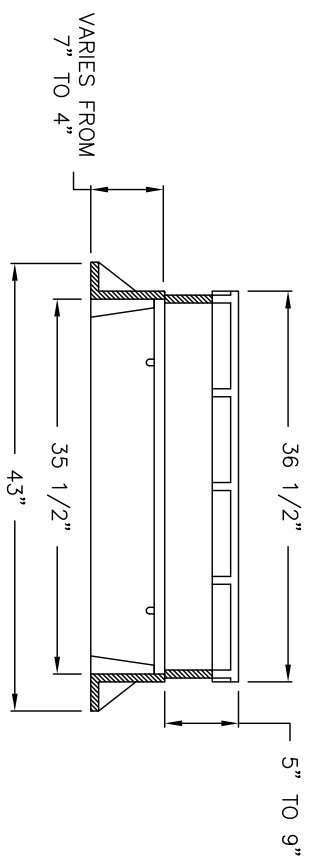
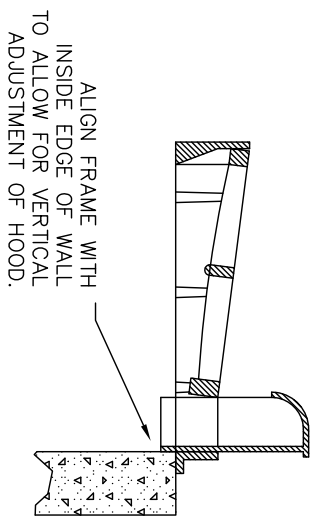
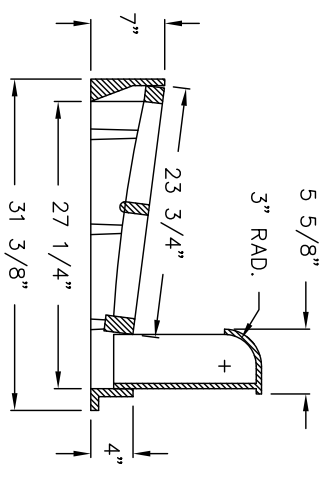


PLAN



SECTION A-A



SECTION B-B

APPROVED HOOD DESIGNS:

- DUMP NO WASTE/ DRAINS TO WATERWAYS
- FLOWS TO RIVER

NOTES:
 A. FRAME, GRATE, AND HOOD SHALL BE GRAY CAST IRON MEETING ASTM A48 CLASS 35 SPECIFICATIONS. IT SHALL ALSO MEET THE CURRENT NCDOT STD. NO. 840.03.

B. MINIMUM AVERAGE WEIGHT:

GRATE	220 LBS
BACK	140 LBS
FRAME	215 LBS
UNIT	575 LBS

C. FRAME, GRATE, AND HOOD SHALL CONTAIN THE FOLLOWING INFORMATION:

1. MANUFACTURER'S MARK
2. LOCATION OF FOUNDRY (COUNTRY)
3. MANUFACTURER'S CATALOG NO.
4. NCDOT STD. NO.

D. APPROVED MANUFACTURER'S:

1. EAST JORDAN IRON WORKS:
 - TYPE "E" V-4066-1
 - TYPE "F" V-4066-3
 - TYPE "G" V-4066-4
2. US FOUNDRY & MANUF. CORP.:
 - TYPE "E" USF 5181-6420
 - TYPE "F" USF 5181-6425
 - TYPE "G" USF 5181-6430
3. OR APPROVED EQUAL

CITY OF HIGH POINT
 NORTH CAROLINA
 ENGINEERING SERVICES DEPARTMENT
 APPROVED: MARCH 1, 2007
 DIRECTOR

ISSUED 03-01-07
 REVISIONS

STANDARD DRAWING FOR
FRAME, GRATES, AND HOOD
 FOR USE ON STANDARD TYPE "B" CATCH BASIN

FRGRHOOD1.DWG
406.00
 SHEET 1 OF 2