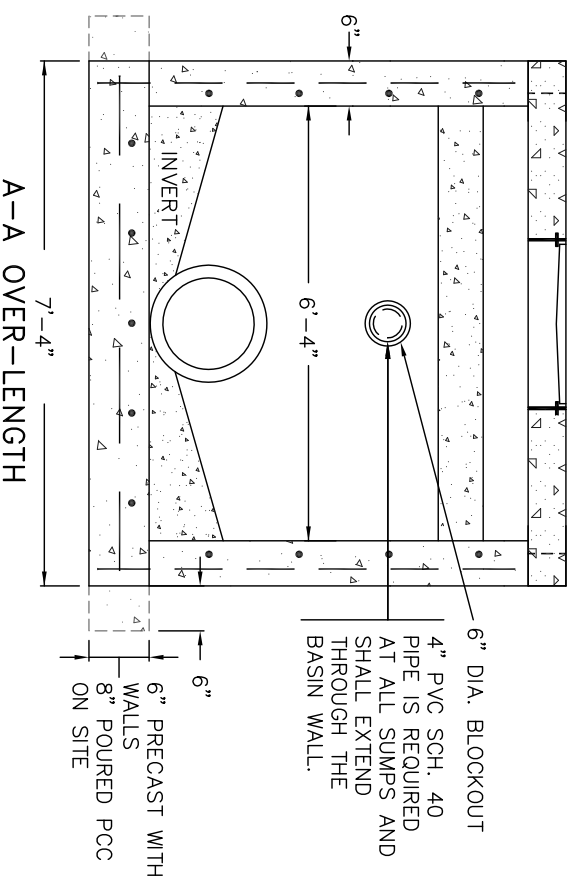
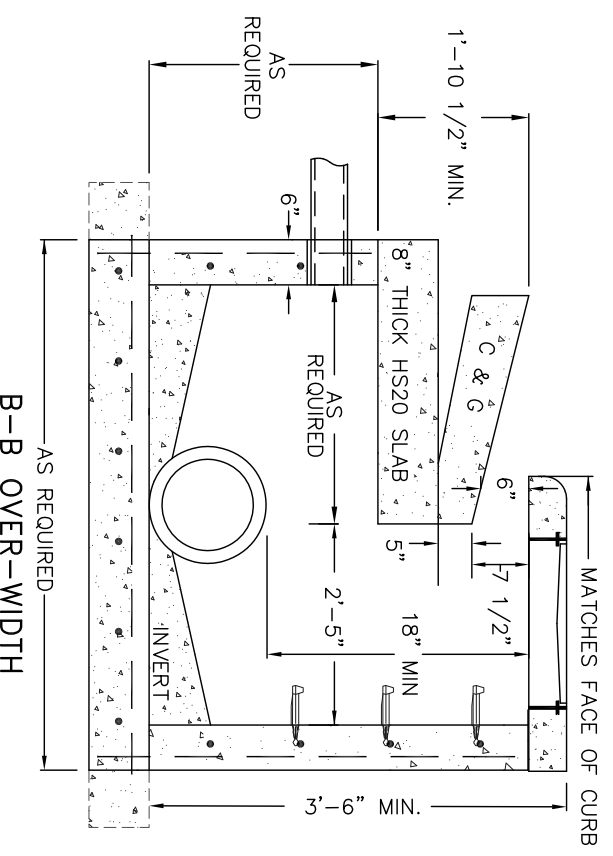


A-A OVER-LENGTH



A-A OVER-LENGTH

- NOTES:**
11. OVER-LENGTH, OVER-WIDTH, AND OVER-LENGTH/OVER-WIDTH CATCH BASINS, TYPE A SHALL BE SPECIFIED ON THE PLANS.
 12. THE PRECAST CONCRETE INLET LID FOR THE OVER-LENGTH INLET SHALL HAVE FOUR #5 BARS IN THE STREET FACE.
 13. IF POSSIBLE, THERE SHOULD BE A MINIMUM OF 6" LENGTH BETWEEN THE OUTSIDE EDGE OF A PIPE AND THE INSIDE EDGE OF THE INLET WALLS.
 14. DRAWINGS NOT TO SCALE.



B-B OVER-WIDTH

CITY OF HIGH POINT
 NORTH CAROLINA
 ENGINEERING SERVICES DEPARTMENT
 APPROVED: MARCH 1, 2007
 BSK
 DIRECTOR

ISSUED 03-01-07
 REVISIONS

STANDARD DRAWING FOR
 PRECAST CATCH
 BASIN, TYPE A

CBA_PC_2.DWG
 401.00
 SHEET 2 OF 2