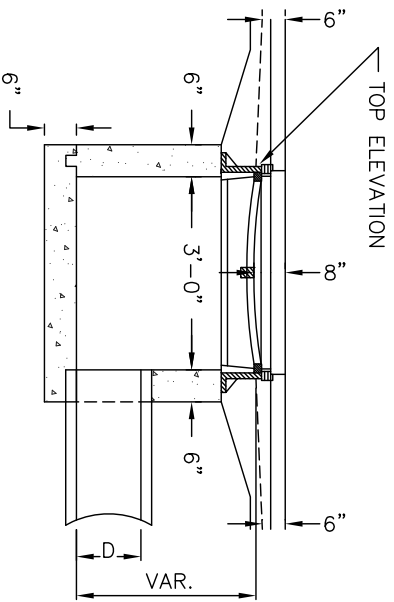
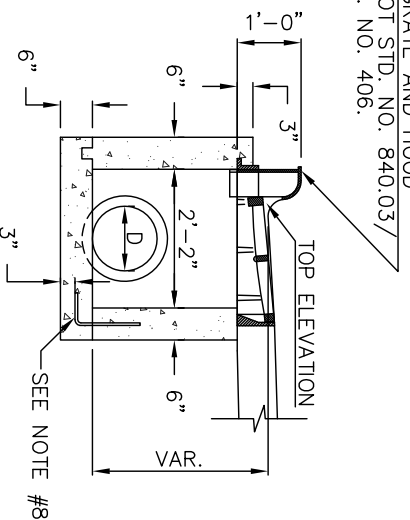


**APPROVED HOOD DESIGNS**



**SECTION Y-Y**



**SECTION X-X**

FRAME, GRATE AND HOOD  
SEE NCDOT STD. NO. 840.03/  
CITY STD. NO. 406.

**NOTES:**

1. PRECAST DESIGN SPECIFICATIONS SHALL CONFORM TO THE LATEST ASTM C913 SPECIFICATIONS FOR "PRECAST CONCRETE WATER AND WASTEWATER STRUCTURES", NCDOT, AND CITY OF HIGH POINT SPECIFICATIONS.
2. PRECAST STRUCTURES SHALL BE DESIGNED FOR H-20-44 LOADING.
3. PRECAST STRUCTURE SHALL HAVE A MINIMUM CONCRETE COMPRESSIVE STRENGTH OF 4000 PSI. IF BOTTOM CONCRETE SLAB IS POURED, IT SHALL HAVE A MINIMUM CONCRETE COMPRESSIVE STRENGTH OF 3000 PSI AND SHALL BE POURED INTO FORMS.
4. STEEL REINFORCING DESIGN SHALL CONFORM TO THE REQUIREMENTS OF ASTM C890 SPECIFICATIONS FOR "STRUCTURAL DESIGN LOADING FOR WATER AND WASTEWATER STRUCTURES" AND SHALL UTILIZE GRADE 60 RE-BARS CONFORMING TO THE REQUIREMENTS OF ASTM A615 OR WWF CONFORMING TO THE REQUIREMENTS OF ASTM A185 OR BOTH.
5. ADDITIONAL STEEL REINFORCEMENT SHALL BE INSTALLED AT ALL OPENINGS.
6. USE NCDOT STD. NO. 840.03/CITY STD. NO. 406. FRAME, GRATE, AND HOOD UNLESS OTHERWISE INDICATED. USE TYPE "E", "F", OR "G" GRATES UNLESS OTHERWISE INDICATED.
7. FOR STRUCTURE HEIGHTS OVER 3'-6", INSTALL STEPS ON 12" CENTERS. ALL STEPS SHALL CONFORM TO CITY STD. NO. 303. OR AN APPROVED EQUAL.
8. OPTIONAL CONSTRUCTION - MONOLITHIC CLASS A PCC POUR. USE 2" KEYWAY OR #4 BAR DOWELS AT 12" CENTERS AT THE CONST. JOINT.
9. SEAL JOINTS WITH FLEXIBLE BUTYL RUBBER BASE CONFORMING TO FEDERAL SPECIFICATIONS SS-S-21A, AASHTO M-198, TYPE B - BUTYL RUBBER.
10. PRECAST CATCH BASIN MINIMUM WALL THICKNESS (SOLID WALL AND BOTTOM SLAB):  
HEIGHT OF STRUCTURE: 6"  
0' TO 10' 8"  
10' TO 16' 8"  
OVER 16' SPECIAL DESIGN

CITY OF HIGH POINT  
NORTH CAROLINA  
ENGINEERING SERVICES DEPARTMENT  
APPROVED: MARCH 1, 2007  
BY: [Signature]  
DIRECTOR

ISSUED 03-01-07
REVISIONS

STANDARD DRAWING FOR  
PRECAST CATCH BASIN, TYPE B  
FOR 12" THRU 54" PIPE

CB\_B\_PCC\_1.DWG  
405.00  
SHEET 1 OF 2