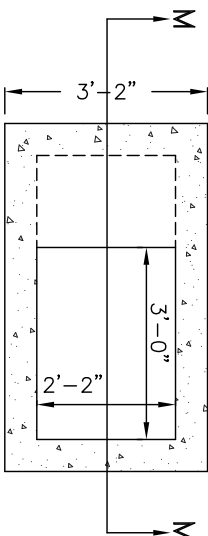
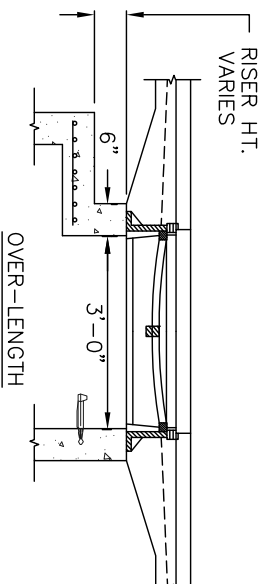
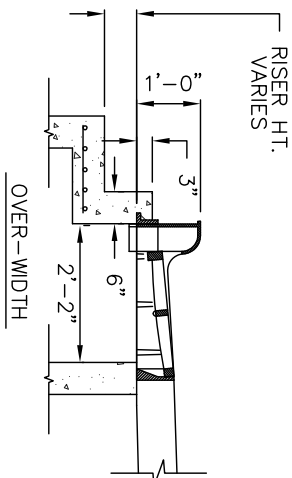


PLAN OVER-WIDTH



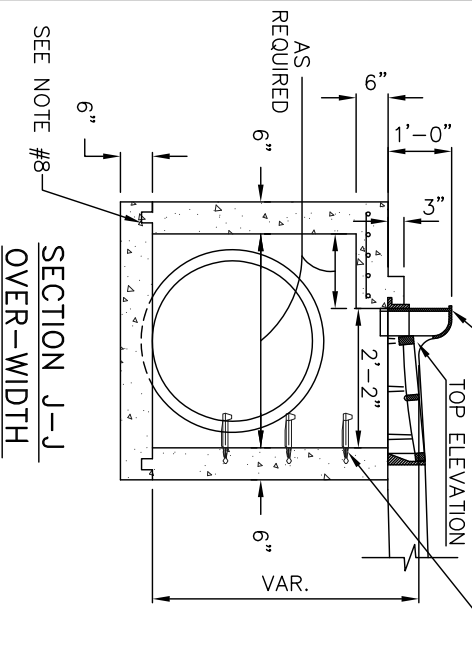
PLAN OVER-LENGTH



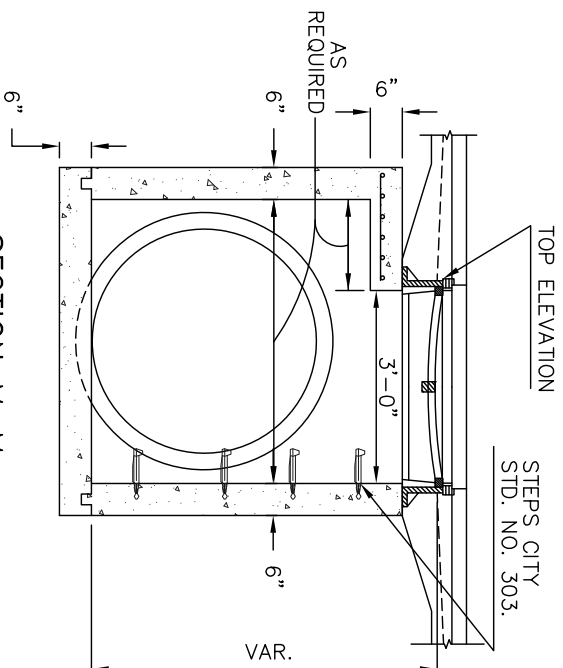
DETAIL SHOWING METHOD OF RISER CONSTRUCTION

FRAME, GRATE AND HOOD
SEE NCDOT STD. NO. 840.03/
CITY STD. NO. 406.

STEPS CITY
STD. NO. 303.



**SECTION J-J
OVER-WIDTH**



**SECTION M-M
OVER-LENGTH**

- NOTES:
- OVER-LENGTH, OVER-WIDTH, AND OVER-LENGTH/OVER-WIDTH CATCH BASINS, TYPE B, SHALL BE SPECIFIED IN THE PLANS.
 - THE EXTRA SLAB TO ACCOMMODATE OVER-LENGTH AND OVER-WIDTH PIPES, SHALL BE DESIGNED ACCORDING TO SHEET 2 OF 2 OF CURRENT NCDOT STD. NO. 840.02.
 - IT IS PREFERRED THAT THERE BE A MINIMUM OF 6" LENGTH BETWEEN THE OUTSIDE EDGE OF PIPE AND THE INSIDE EDGE OF THE INLET WALLS.

CITY OF HIGH POINT
NORTH CAROLINA
ENGINEERING SERVICES DEPARTMENT

APPROVED: MARCH 1, 2007
BKR
DIRECTOR

ISSUED 03-01-07
REVISIONS

STANDARD DRAWING FOR
PRECAST CATCH BASIN, TYPE B
FOR 12" THRU 54" PIPE

CB_B_PCC_2.DWG

405.00

SHEET 2 OF 2