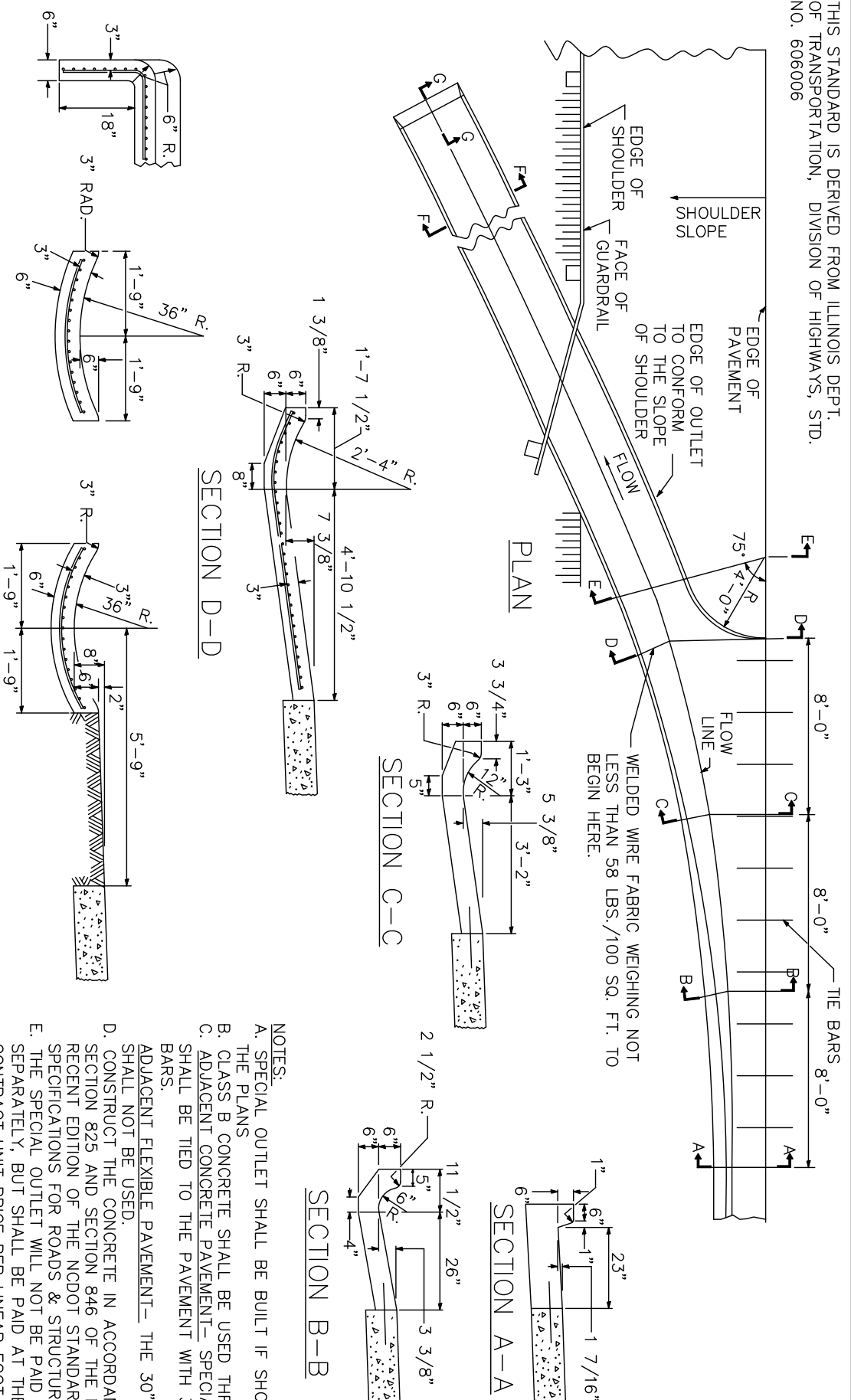


THIS STANDARD IS DERIVED FROM ILLINOIS DEPT. OF TRANSPORTATION, DIVISION OF HIGHWAYS, STD. NO. 606006



WELDED WIRE FABRIC WEIGHING NOT LESS THAN 58 LBS./100 SQ. FT. TO BEGIN HERE.

NOTES:

- A. SPECIAL OUTLET SHALL BE BUILT IF SHOWN ON THE PLANS
- B. CLASS B CONCRETE SHALL BE USED THROUGHOUT.
- C. ADJACENT CONCRETE PAVEMENT— SPECIAL OUTLET SHALL BE TIED TO THE PAVEMENT WITH 30" #4 BARS.
- ADJACENT FLEXIBLE PAVEMENT— THE 30" #4 BARS SHALL NOT BE USED.
- D. CONSTRUCT THE CONCRETE IN ACCORDANCE WITH SECTION 825 AND SECTION 846 OF THE MOST RECENT EDITION OF THE NCDOT STANDARD SPECIFICATIONS FOR ROADS & STRUCTURES.
- E. THE SPECIAL OUTLET WILL NOT BE PAID FOR SEPARATELY, BUT SHALL BE PAID AT THE CONTRACT UNIT PRICE PER LINEAR FOOT FOR 2'-6" CURB AND GUTTER, MEASURED ALONG THE FLOW LINE.

SECTION G-G

SECTION F-F

SECTION E-E

SECTION D-D

SECTION C-C

SECTION B-B

SECTION A-A

PLAN

CITY OF HIGH POINT
NORTH CAROLINA
ENGINEERING SERVICES DEPARTMENT

ISSUED 4-12-07
REVISIONS

STANDARD DRAWING FOR

SPECIAL OUTLET

SPECIAL_OUT.DWG

505.00

FOR 2'-6" CURB AND GUTTER

APPROVED APRIL 12, 2007
DIRECTOR

SHEET 1 OF 1