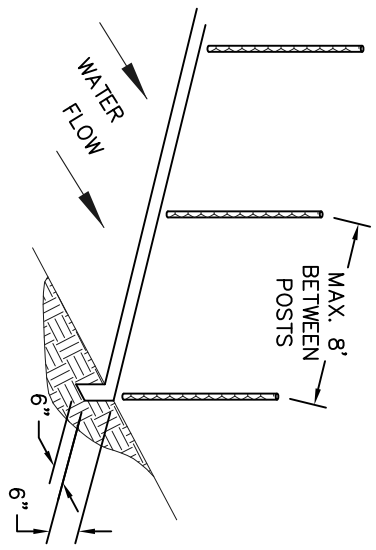
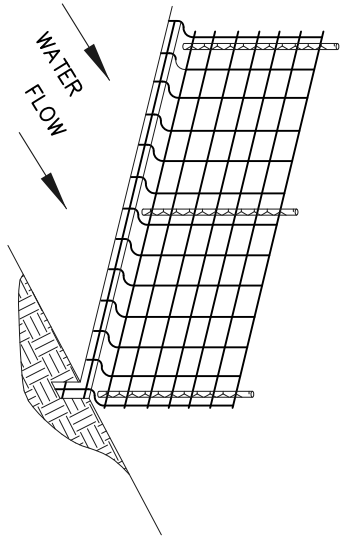


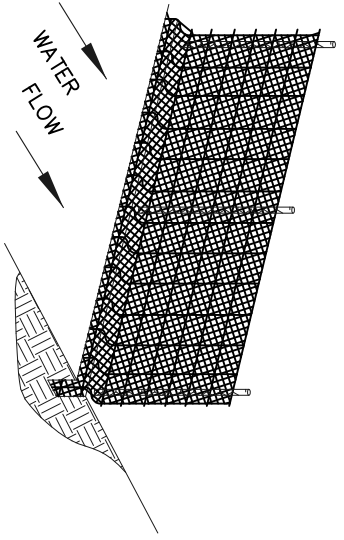
**STEP 1:**  
EXCAVATE A 6" x 6" TRENCH. DRIVE STEEL POSTS 18" INTO GROUND DOWNHILL OF THE TRENCH.



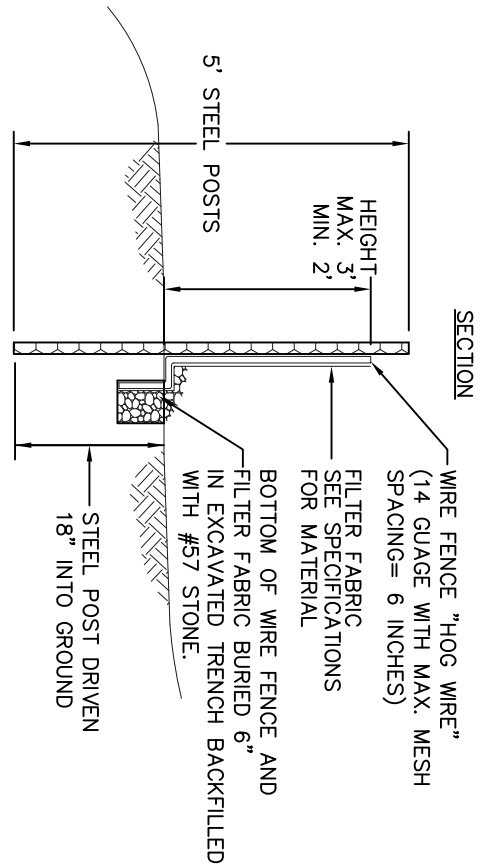
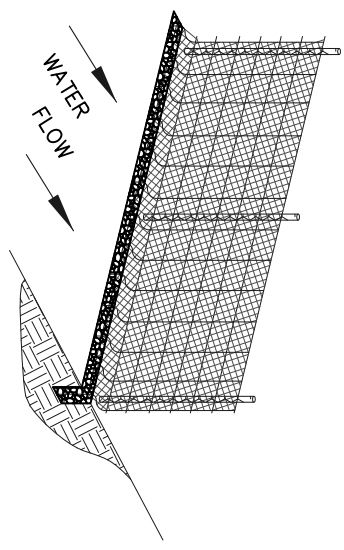
**STEP 2:**  
ATTACH WIRE FENCE TO POSTS AND EXTEND THE BOTTOM OF THE FENCE INTO THE EXCAVATED TRENCH BOTTOM.



**STEP 3:**  
ATTACH THE FILTER FABRIC TO THE WIRE FENCE AND EXTEND THE BOTTOM OF THE FILTER FABRIC INTO THE TRENCH BOTTOM.



**STEP 4:**  
BACKFILL THE TRENCH WITH #57 CLEAN STONE TO ANCHOR THE BOTTOM OF THE SILT FENCE SO THAT RUNOFF IS FORCED TO GO THROUGH THE FENCE AND CANNOT GO UNDER IT.



- NOTES:**
1. BOTTOM OF FILTER FABRIC MUST BE PLACED IN TRENCH AND SECURED BY BACKFILLING THE TRENCH WITH #57 STONE.
  2. DO NOT INSTALL SILT FENCE WHERE FLOWS ARE CONCENTRATED.
  3. WOODEN POSTS NOT ALLOWED.
  4. STEEL POSTS SHALL WEIGH 1.33 LB/LF.

**CITY OF HIGH POINT**  
**NORTH CAROLINA**  
**ENGINEERING SERVICES DEPARTMENT**  
APPROVED... FEBRUARY 17, 2009  
*BSP*  
DIRECTOR

ISSUED 2-17-09
REVISIONS

**STANDARD DRAWING FOR**  
**TEMPORARY SILT FENCE**  
**FOR EROSION CONTROL**

SILT FENCE.DWG  
**600.00**  
SHEET 1 OF 1